

ConceptSystem 77

Doors



Reynaers
Aluminium

Windows.
Doors.
Façades.

Together for better

www.reynaers.com

Reliable, safe and versatile door solutions

ConceptSystem 77 is a versatile and reliable door system with a strong legacy. It offers a complete range of design options and safety features, including fireproof and bulletproof variants. The trusted aluminium solution offers up-to-date performance levels and can be integrated in almost any building type, at any location.

Thanks to years of continuous optimisation, these tried-and-tested doors meet most contemporary standards with regards to energy efficiency, accessibility and circular design. With multiple insulation levels and the possibility to create large elements up to 3 metres in height, ConceptSystem 77 doors are always a safe, well-balanced and affordable choice for all your building projects.



Safe and versatile doors to match any project needs.

With its wide range of opening types (incl. automatic, pivot, and alternating doors) and built-in connectivity with our other aluminium systems, these versatile doors are the missing piece to your next project. Subtle hardware and drainage options, certified safety features, elegant handles that add a personal touch to your design, ... For every challenge, ConceptSystem 77 has an answer.



Well-balanced price-performance-features mix.

When you take into account aesthetics, versatility and AWW performance, ConceptSystem 77 doors are a certain choice. Its universal design answers to many local building needs, as the standard performance levels meet contemporary project requirements. The High Intensity Door variant (HID) makes ConceptSystem 77 a great match for public buildings too.

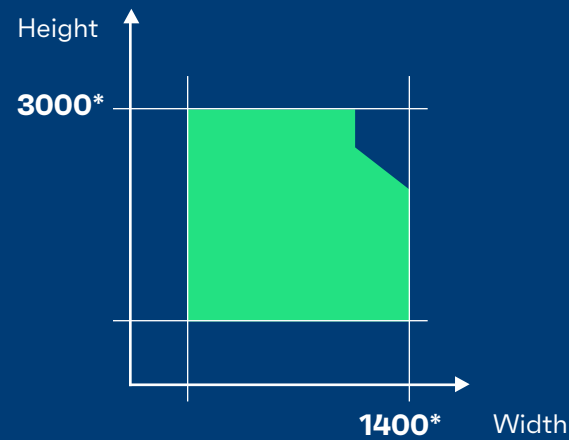


Reliable doors that last a lifetime.

Thanks to its ergonomic design and fail-safe production process, ConceptSystem 77 is the preferred standard solution of building professionals all over the world. Known for its tested and proven quality, this door system fits both new-builds and renovation projects with up-to-date performance requirements and high safety needs.

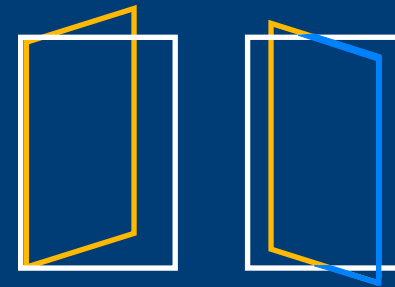
ConceptSystem 77 Doors General

Possible vent sizes (mm)



*Max dimensions depend on multiple parameters including wind load requirements and glass type choice.

Possible vent weights (kg)



Hinged door

Pivot door

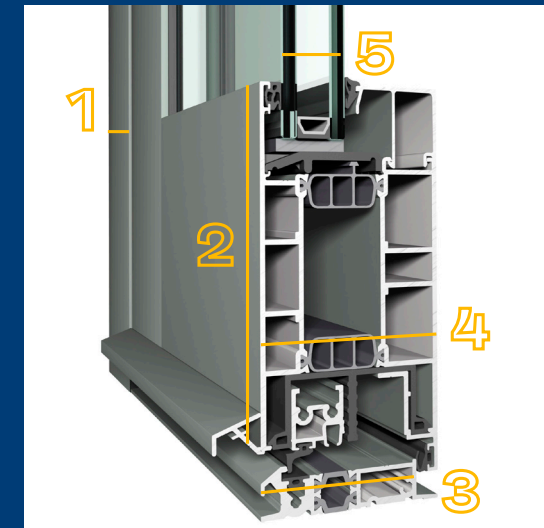
250

200

Visible dimensions (mm)

Inward opening door

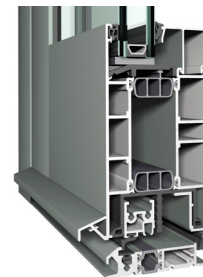
1	Min. frame width	68
2	Min. vent width	76
3	Frame depth	68
4	Vent depth	68
5	Glass thickness	Up to 49



ConceptSystem 77 Doors Variants

ConceptSystem 77-Entrance Door

Thermal value - U_f (W/m²K)	Down to 2.1
Water tightness	7A (300 Pa)
Wind load resistance	C2 (800 Pa)
Burglarproof	RC 2, RC 3 + PAS 24



ConceptSystem 77-High Insulation +

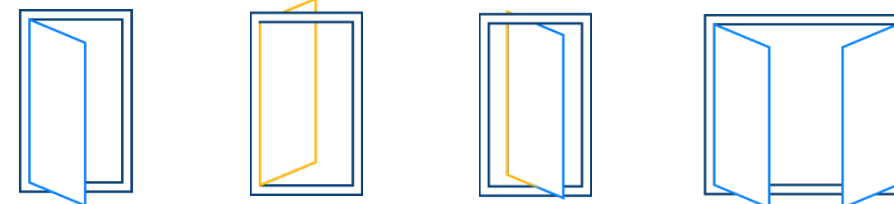
Thermal value - U_f (W/m²K)	Down to 1.6
Water tightness	7A (300 Pa)
Wind load resistance	C2 (800 Pa)
Burglarproof	RC 2, RC 3 + PAS 24

ConceptSystem 77-Panel Door

Thermal value - U_d (W/m²K)	Down to 1.0
Water tightness	7A (300 Pa)
Wind load resistance	C2 (800 Pa)
Burglarproof	RC 2, RC 3



More variants can be found on our website...



ConceptSystem 77 Doors Options



Access Control

When it comes to protecting your home or business, you want to have control over who has access to your building, and when. We offer a number of electronic access control systems to protect your residence or business facility.



Panic solution

In some public buildings, a quick and safe escape route should always be available. These doors are equipped with anti-panic technology to guarantee secure passage in dangerous situations.



Zero threshold

Creating inviting entryways and exits without boundaries has never been easier. This elegantly hidden threshold solution is the ideal match for your wheelchair-friendly building project, even with continuous flooring.



Concealed hinges

The difference often lies in the smallest of details. That is why subtly concealed hinges are the ultimate finishing touch for your windows and doors. With the hardware hidden from sight, you get a clean look both when the system is opened or closed.



Safety

ConceptSystem 77 doors are a reliable choice for all your safety needs. The system offers burglarproof, bulletproof, and even fireproof protection (internal and external doors El₁ 30, El₂ 30, El₁ 60, El₂ 60), all certified by our professional testing partners. A clever anti-panic door solution guarantees a quick escape in times of danger, perfect for public buildings such as shops, offices, hospitals, and more.*



Smart Buildings

Our door systems are compatible with the industry's leading smart building systems. Thanks to a range of intelligent solutions, our systems do the work for you at the push of a button. No need to worry about keys anymore: the smart system allows you to manage access to your home or building through a fingerprint scanner or mobile app. Optional integrated ventilation vents help you create a healthy indoor environment.

Get in touch

Interested or looking for more in-depth technical information? Contact your Reynaers Aluminium representative for more information or scan the QR code to visit our website.



*Performance levels and properties of our safety products depend on size, profile combinations, hardware and infill choices. Additionally, local approvals and regulations may change the values mentioned in this document. Please contact your local Reynaers Aluminium representative for guidance.